

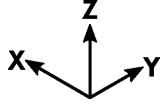


U137

X: 330mm

Y: 290mm

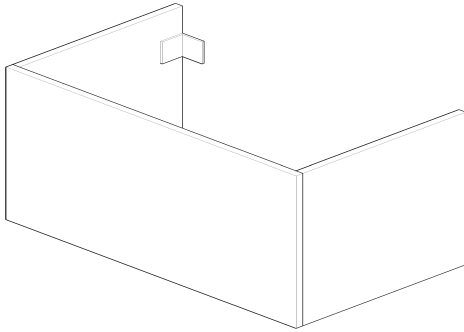
Z: 110mm



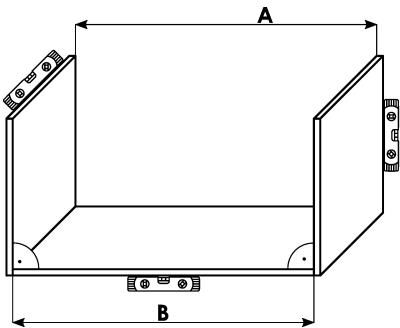
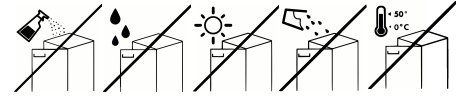
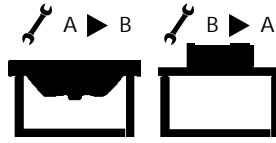
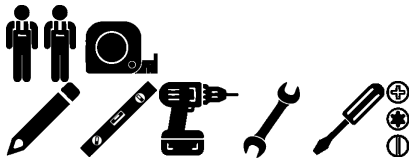
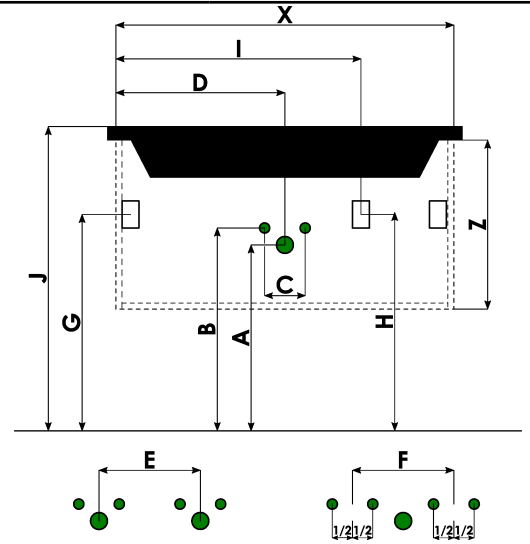
X: 318 mm

Y: 262 mm

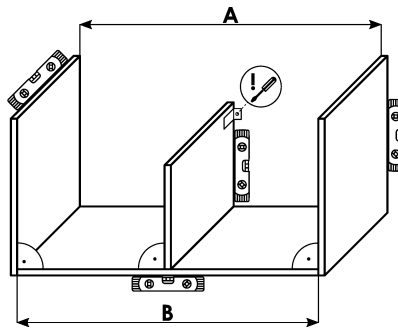
Z: 500 mm



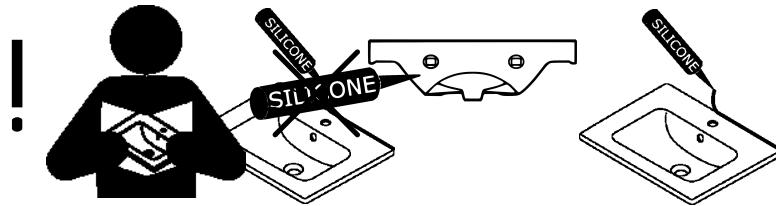
- A 560 mm
- B 610 mm
- C 80-120 mm
- D 159 mm
- E mm
- F mm
- G 640 mm
- H mm
- I mm
- J 860 mm
- M mm
- N mm



! A=B



A



B

