

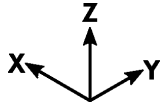


U111

X: 500mm

Y: 252mm

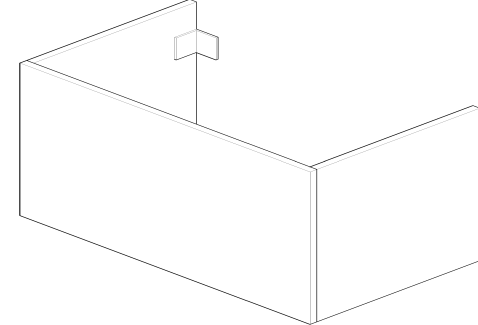
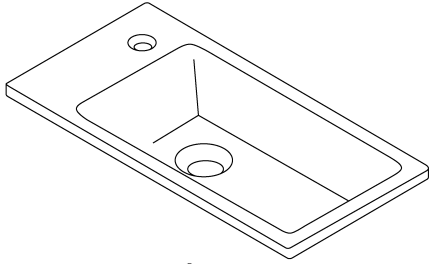
Z: 18mm



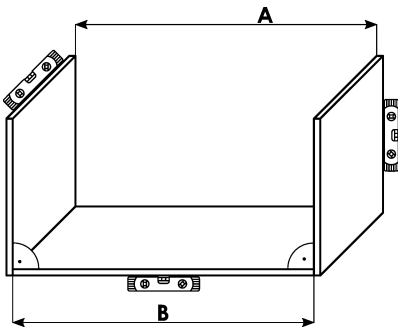
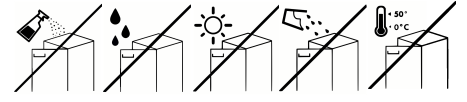
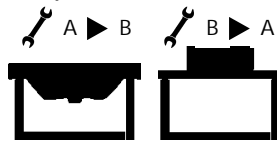
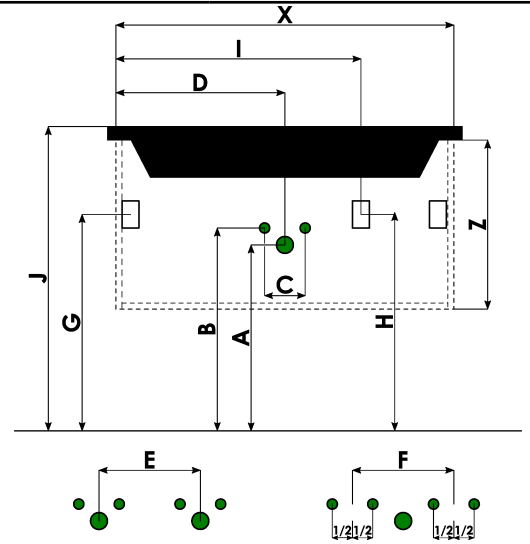
X: 490 mm

Y: 244 mm

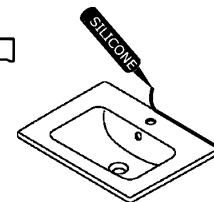
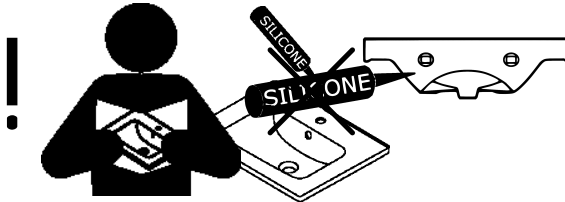
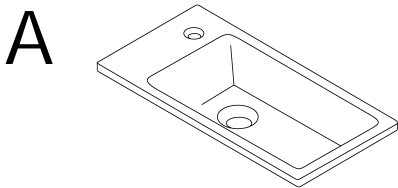
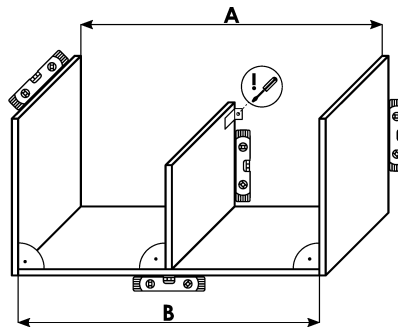
Z: 500 mm



- A 560 mm
- B 610 mm
- C 80-120 mm
- D 295 mm
- E mm
- F mm
- G 723 mm
- H mm
- I mm
- J 860 mm
- M 51 mm
- N mm



! A=B



B

