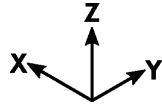


U115

X: 600mm

Y: 455mm

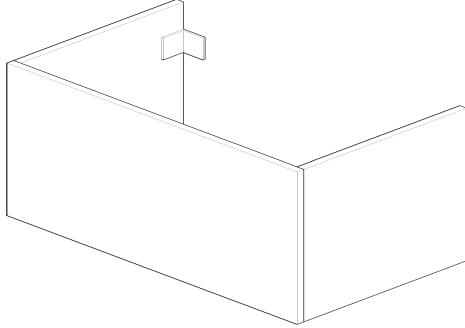
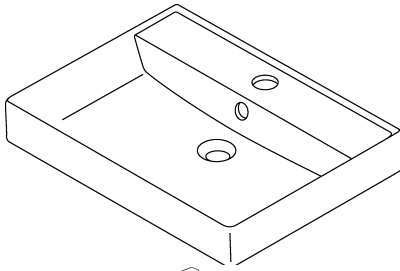
Z: 100mm



X: 2400 mm

Y: 500 mm

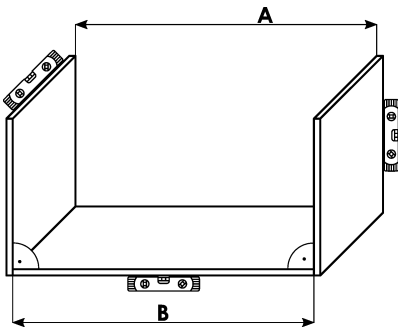
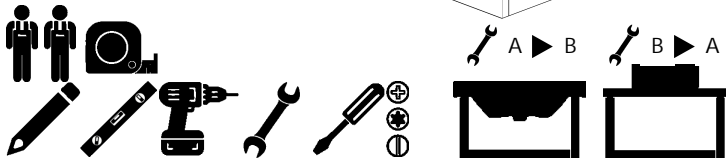
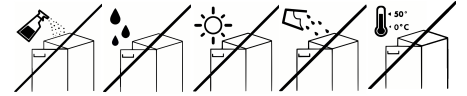
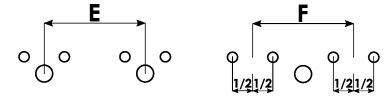
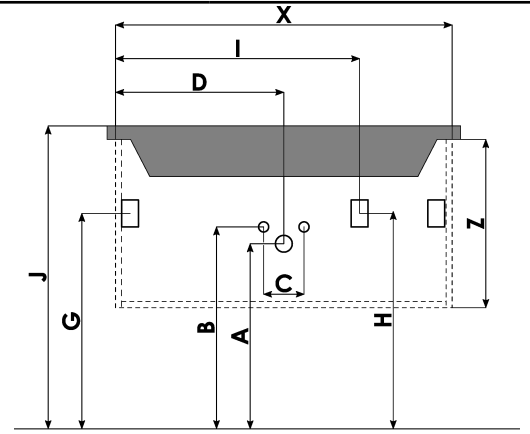
Z: 418 mm



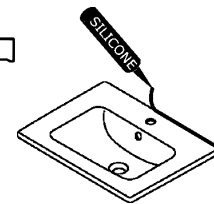
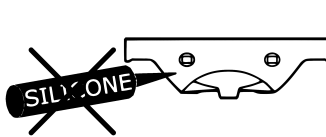
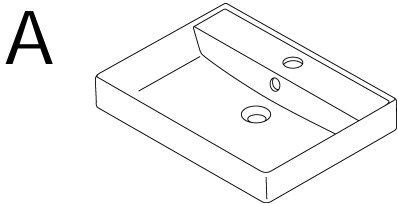
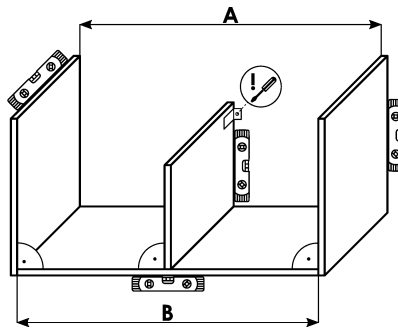
A



- A 560 mm
- B 600 mm
- C 80-100 mm
- D 402 mm
- E 708 mm
- F ... mm
- G 691 mm
- H 691 mm
- I 752/849/1550/1647/2348 mm
- J 860 mm
- M mm
- N mm



! A=B



B

